

## DIN-rail Mount Network Switch, (NSD-x)

The NSD-x (5, 8 or 16-port) is an unmanaged network switch that provides speeds up to 100Mbps for a wide variety of network connected devices, servers and workstations.

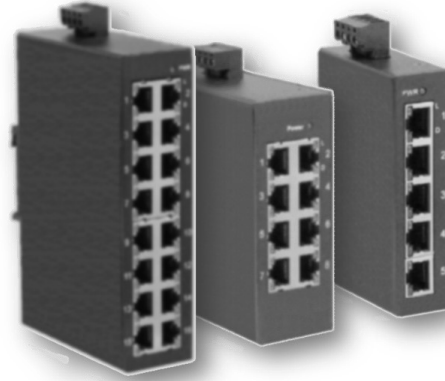
### Description:

The NSD-x is designed for DIN-rail mounted applications. The device is housed in a rugged metal enclosure suitable for most applications. This is a plug-and-play Ethernet switch which requires no configuration. All ports automatically configure their data rate and duplex using the Auto-Negotiation protocol. Depending on the capability of the link device, communication is set at 10 or 100 Mbps and at either half or full duplex. Each port will accommodate either a straight through or cross-over cable by using the Auto-MDIX protocol.

The NSD-x is powered from a wide choice of low power options, both AC and DC. Redundant power connections are provided for maximum uptime for critical applications

### Assembly Overview

- Metal enclosure
- 10Base-T/100Base-TX
- Shielded RJ-45
- Auto Negotiation
- Auto MDIX supports cable inversion
- DIN-rail Mounting
- Diagnostic LEDs
- 24VAC/VDC Powered
- UL508, c-UL listed, CE Mark

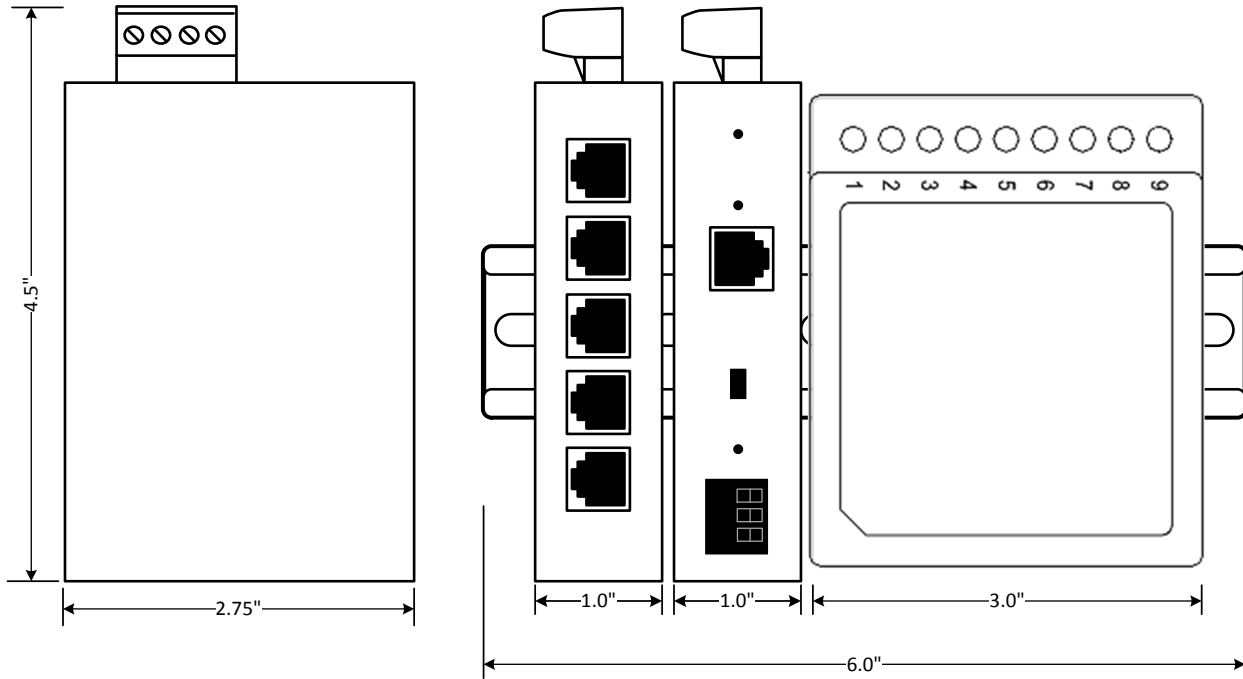


### Assembly

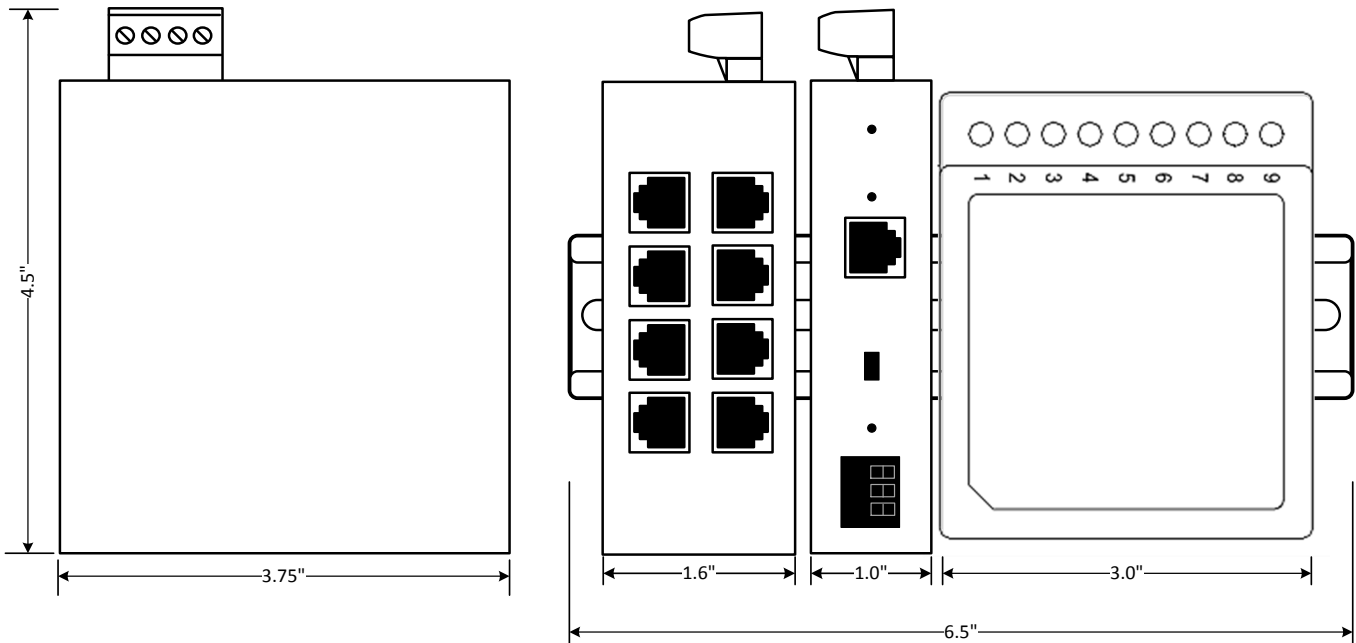
NSD-x (pn. NSD-5, NSD-8, NSD-16)

Option 1: NEMA1 Enclosure with power supply

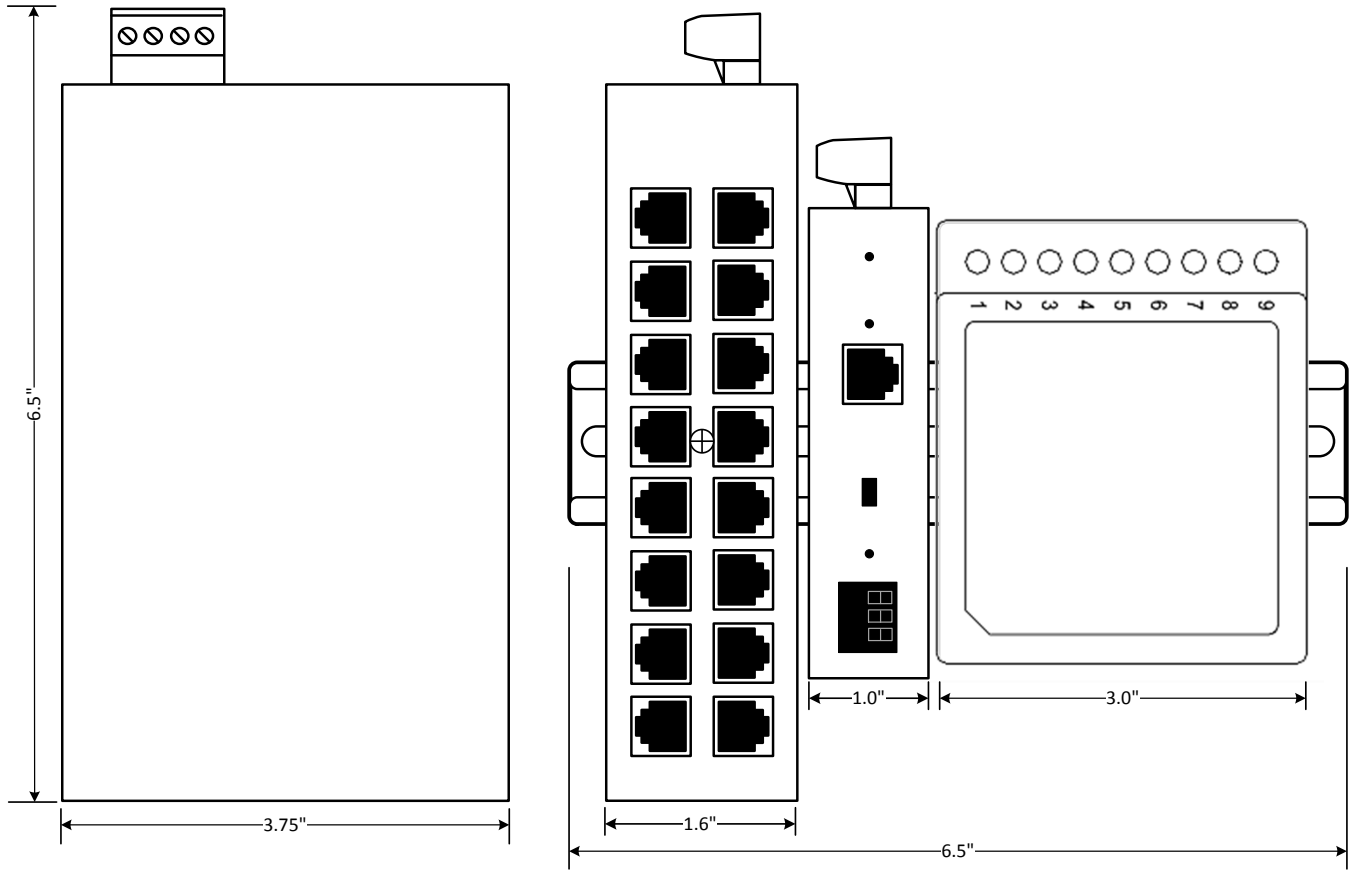
Dimensions (NSD-5 shown with MS0-BR and 120VAC/24VDC transformer)



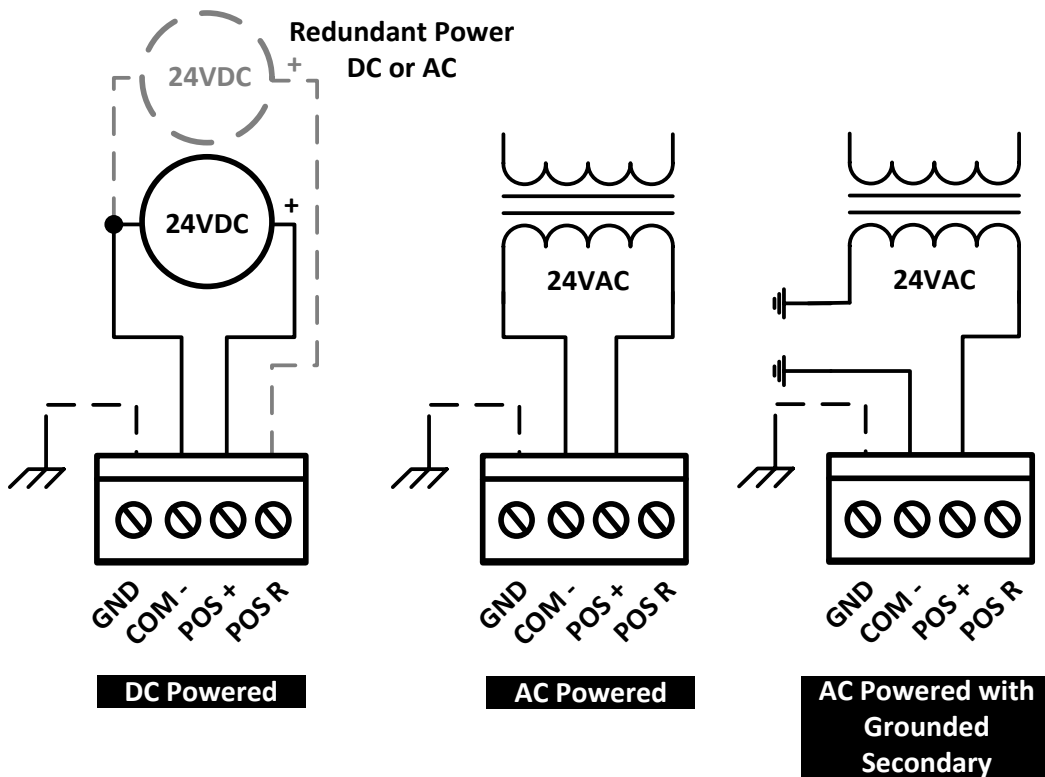
Dimensions (NSD-8 shown with MS0-BR and 120VAC/24VDC transformer)



Dimensions (NSD-16 shown with MS0-BR and 120VAC/24VDC transformer)



Power Options



## Key Features:

DIN-rail mounted unmanaged network switch

Rugged metal enclosure suitable for any many applications

10/100 Base T, Auto-Negotiation, Plug-and-Play

Flexible AC/DC power options and is also redundant power capable

Diagnostic LEDs

## SPECIFICATIONS

Power	10-36 VDC @3W, 24VAC +-10% @ 6VA, 47-63Hz
Operating Temperature	0 to 60C
Storage Temperature	-40 to 85C
Humidity	10-95% RH, non-condensing
Mounting	TS-35 DIN-rail (Mounting enclosures available)
Communications	IEEE 802.3 10/100Mbps data rate using RJ-45 connectors
Max Cable distance	100 meters / 300 feet (CAT5)
Certification	CE, CFR 47, Part 15 Class A, RoHS , UL508 Industrial Control Equipment
Size / Weight (NSD-5)	2.75" (L) x 1.0" (W) x 4.5"(H) / 1lb.
Size / Weight (NSD-8)	3.75" (L) x 1.6" (W) x 4.5"(H) / 1lb.
Size / Weight (NSD-16)	3.75" (L) x 1.6" (W) x 6.5"(H) / 1lb.

## Wire Specifications

Ethernet / IP	Standard CAT5/6
Power (with 120VAC to 24VDC Transformer)	14/3 AWG, stranded or solid

## Ordering (Please call for alternate assembly pricing)

NSD-x (standard)

NSD-x-ENCL (Assembled kit includes NSD-x, 120VAC/24VDC power supply plus enclosure)



**PYTHIA TECHNOLOGIES**  
*data transformation solutions*

175 S. Sandusky Street, Suite 321 Delaware OH 43015 Tel. 614.363.2272 Fax 740.693.8409

Sales@pythiatech.com

www.pythiatech.com

© 2014 Pythia Technologies, Inc.

All rights reserved throughout the world.

Specification may change at anytime without notice.

Document #: SPEC\_NSDX\_01\_0214