

Micro Server Level 3—MS3

The Micro Server Level 3 provides a high performance, cost effective, easy to use, solution for Modbus, BACnet and SNMP protocol transformation.

Description:

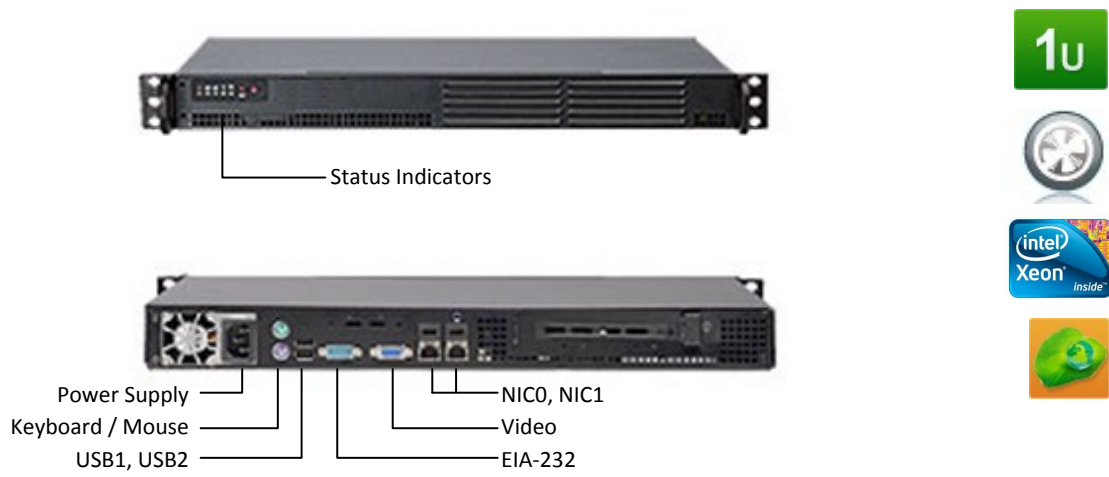
MS3 provides a quick, simple and cost-effective way to add data transformation and data monitoring products for Network Management and Building Management Systems. The MS3 is a high-performance, rack mount solution, providing multiple protocol support for a maximum of 247 devices. The MS3 is in a standard rack-mount package, designed to be installed in equipment rooms, Telco or standard racks.

The MS3 supports devices over TCP/IP as well as the serial communication ports available on the unit. Devices connected over multiple ports are supported simultaneously. Multiple devices are also supported through daisy-chaining (multi-drop) at the serial ports. Users must adhere to protocol and electrical standards for proper operation. Converter kits are also available for 2 / 4-wire devices to USB when connecting to the MS3.

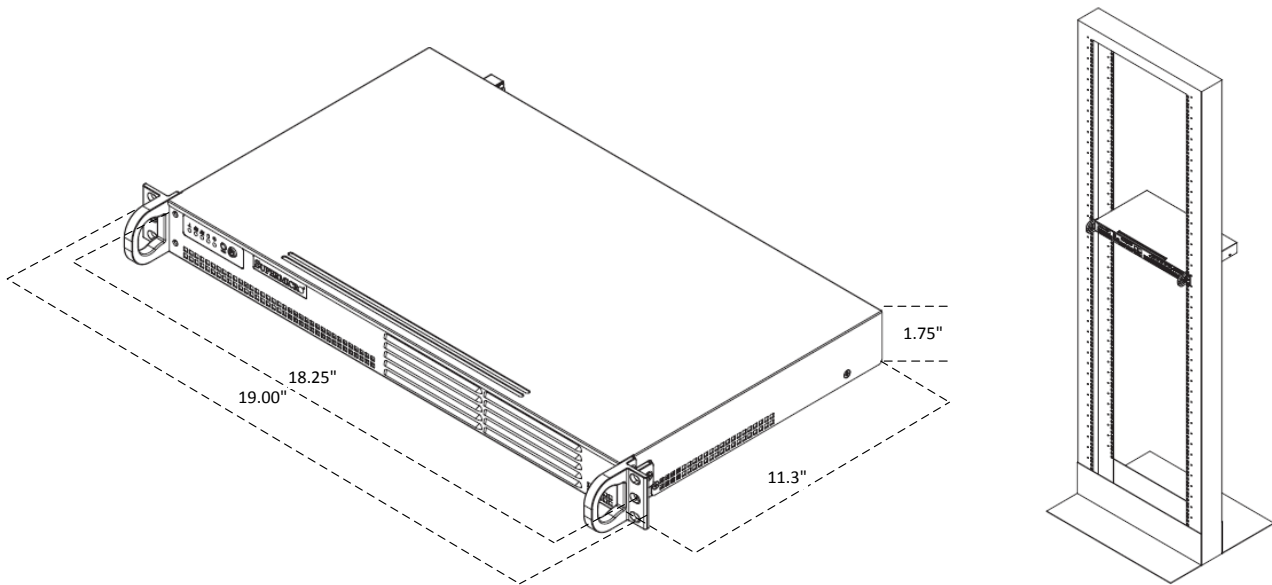
Assembly Overview



Connectivity



Dimensions



Assembly

MS3 Micro Server

Quick Reference Guide

Power Cord

USB Security Key

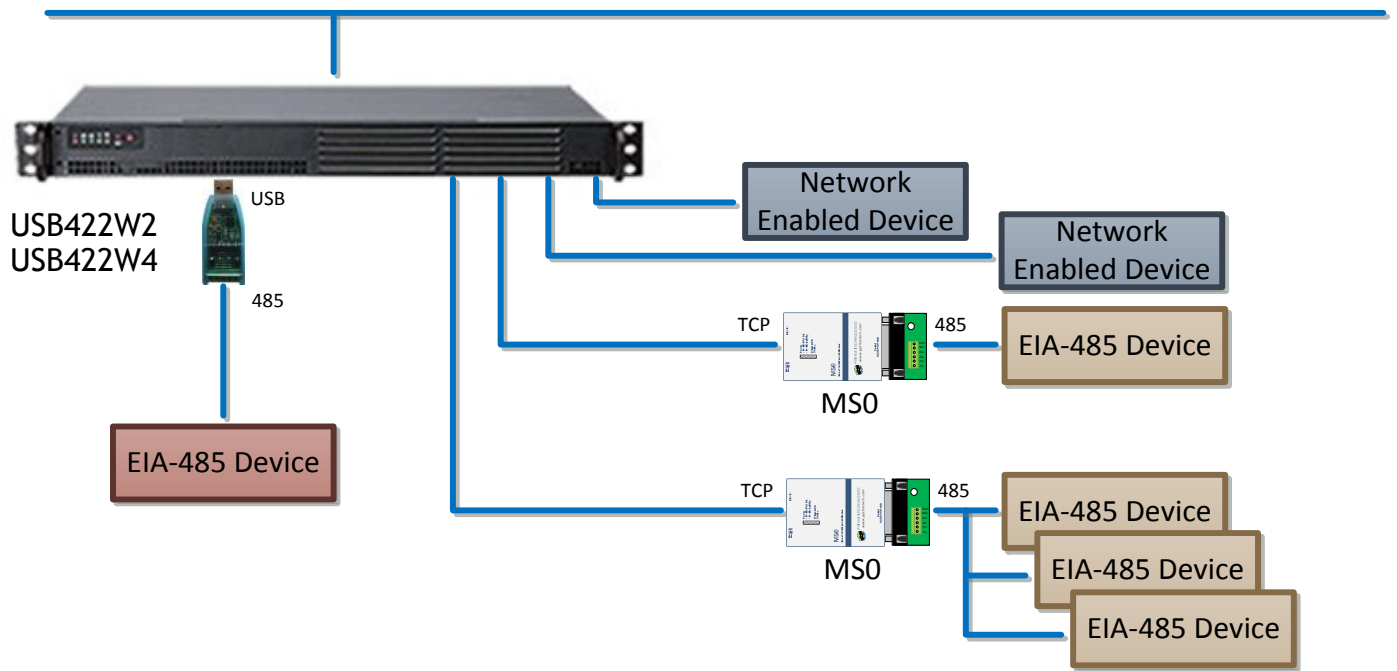
Compact Flash Disk for System Recovery

Optional Accessories:

USB to 2/4-Wire RS-422/485

C13-C14 Power Cord

Applications



Features

Supports up to 247 / 256 devices (protocol dependent)

Provides 1 COM port and 2 USB ports for serial devices

Provides 2 10/100/1000 Mbps Ethernet ports

Supports simultaneous TCP connections

Supports multiple IP addresses, HTTP, HTTPS

Solid State Disk

SPECIFICATIONS

Standard Color	Black
Form Factor	1U Rack mount
Processor	Intel Xeon E3-1220, Quad-Core, 3.10 GHz, 8MB Smart Cache
Memory	4GB DDR3-1066/1333, MAX 32GB
System I/O	2 x USB 2.0, 1 x RS-232 (COM 1)
	2 x 10/100/1000Mbps Ethernet
Storage	Solid State Disk
System Indicator	Green LED for Power, Fault Indication, SSD and Network
Power Supply	100V–240V , 50-60 Hz, 3 1.5Amp Max
Operating Temperatures / Humidity	50F–95F / 8% - 90% non-condensing
Storage Temperature	-40F–158F
Dimensions	17.2" (W) x 11.3" (D) x 1.7" (H)
Weight	11lb
Compliance	UL, CUL, EN60950, TUV, RoHS
Power Protection	Power Factor Correction

Ordering

MS3	Micro Server Level 3 (server only, no protocol translation)
MS3-MRTU-MTCP-64, MS3-MRTU-MTCP-128, MS3-MRTU-MTCP-247	MS3 kit above, with Modbus RTU to Modbus TCP protocol translation for 64, 128 or 247 devices maximum
MS3-SNMP-MTCP-64, MS3-SNMP-MTCP-128, MS3-SNMP-MTCP-247	MS3 kit above, with SNMP to Modbus TCP protocol translation for 64, 128 or 247 devices maximum
MS3-BACIP-MTCP-64, MS2-BACIP-MTCP-128, MS2-BACIP-MTCP-247	MS3 kit above, with BACnet IP to Modbus TCP protocol translation for 64, 128 or 247 devices maximum
MS3-MRTUTCP-SNMPM-64, MS2-MRTUTCP-SNMPM-128, MS2-MRTUTCP-SNMPM-247	MS3 kit above, with Modbus RTU / Modbus TCP to SNMPM** protocol translation for 64, 128 or 247 devices maximum
MS3-BACIP-SNMPM-64, MS3-BACIP-SNMPM-128, MS3-BACIP-SNMPM-256	MS3 kit above, with BACnet TCP / Modbus TCP to SNMPM** protocol translation for 64, 128 or 247 devices maximum
USB422W2	USB 2-Wire RS-422/485 Adapter
USB422W4	USB 4-Wire RS-422/485 Adapter

**SNMP-M = One to Many data mapping. One or more Modbus / BACnet devices can be mapped to a single SNMP device.
Example: PDU with BCMS – multiple slaves can act as a single SNMP device. This creates a custom MIB file typically imported by NMS systems



PYTHIA TECHNOLOGIES
data transformation solutions

175 S. Sandusky Street, Suite 321 Delaware OH 43015 Tel. 614.363.2272 Fax 740.693.8409

Sales@pythiatech.com

© 2012 Pythia Technologies, Inc.

All rights reserved throughout the world.

Specification may change at anytime without notice.

Document #: SPEC_MS3_002_0712