

Data Converter—RS-232 to RS485 (MS0-RS24H)

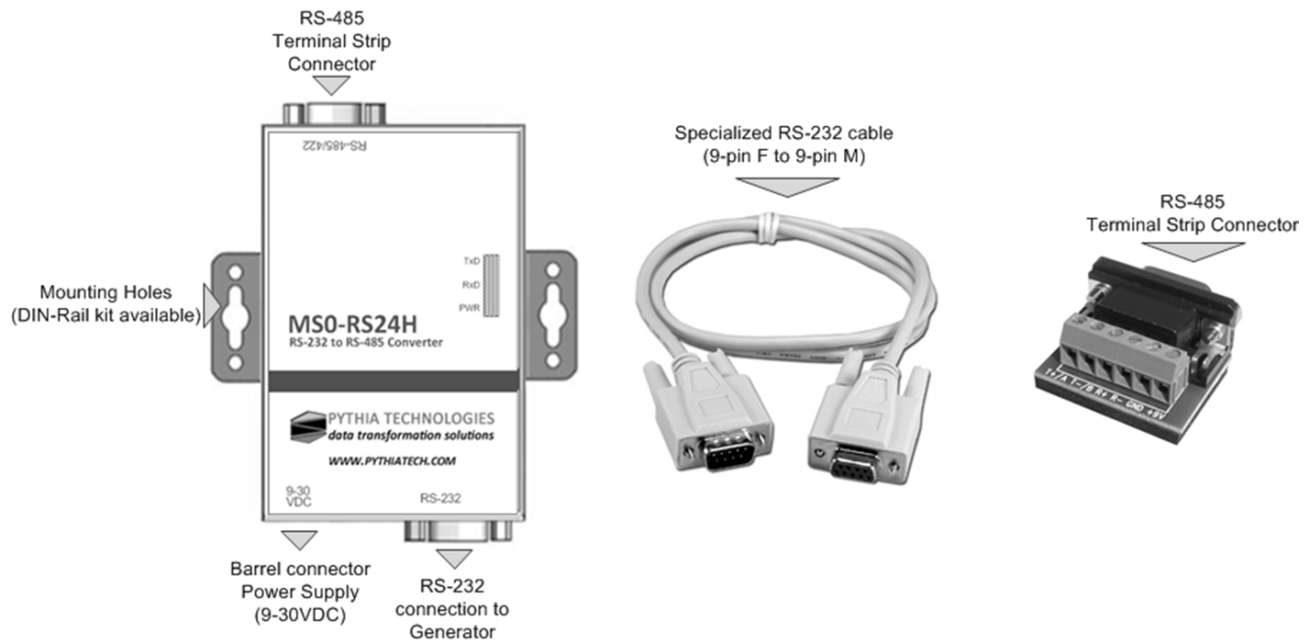
The MS0-RS24H provides a cost effective, easy to use solution for Generac communications to Modbus RTU protocol via EIA-485 connection.

Description:

The MS0-RS24H is a commercial and industrial grade converter designed to convert RS-232 to RS-485 full-duplex signals. The RS-232 interface is a standard DB9 female connector and the RS-485 offers a screw-terminal block for easy connectivity. Automatic Send Data Control is enabled which means no software drivers are needed in order to incorporate with any Point-to-point and point-to-multipoint networks.

With its surge protected interfaces to protect your equipment, data and the converter itself against high voltage surges, this converter is suitable for most industrial, commercial, office, lab and network applications.

Assembly Overview



Assembly

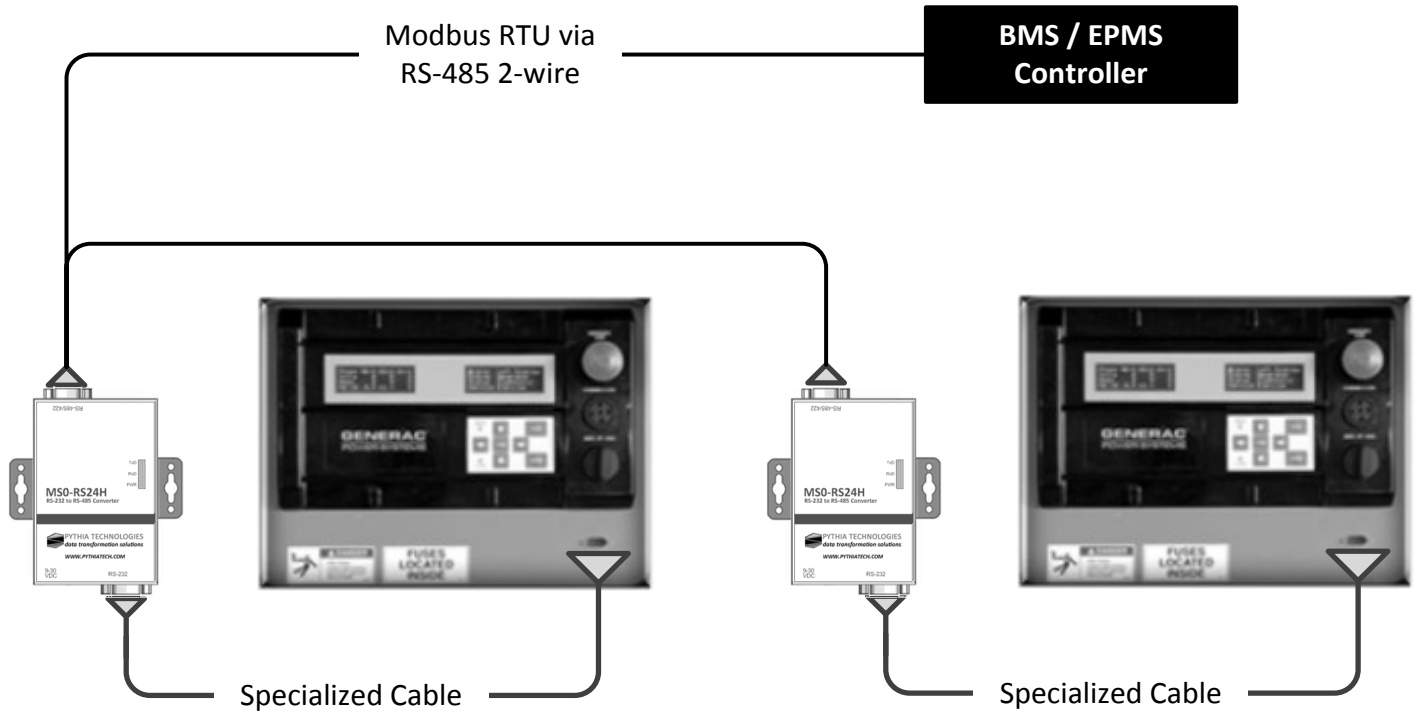
MS0-RS24H

DB9F to DB9M Cable

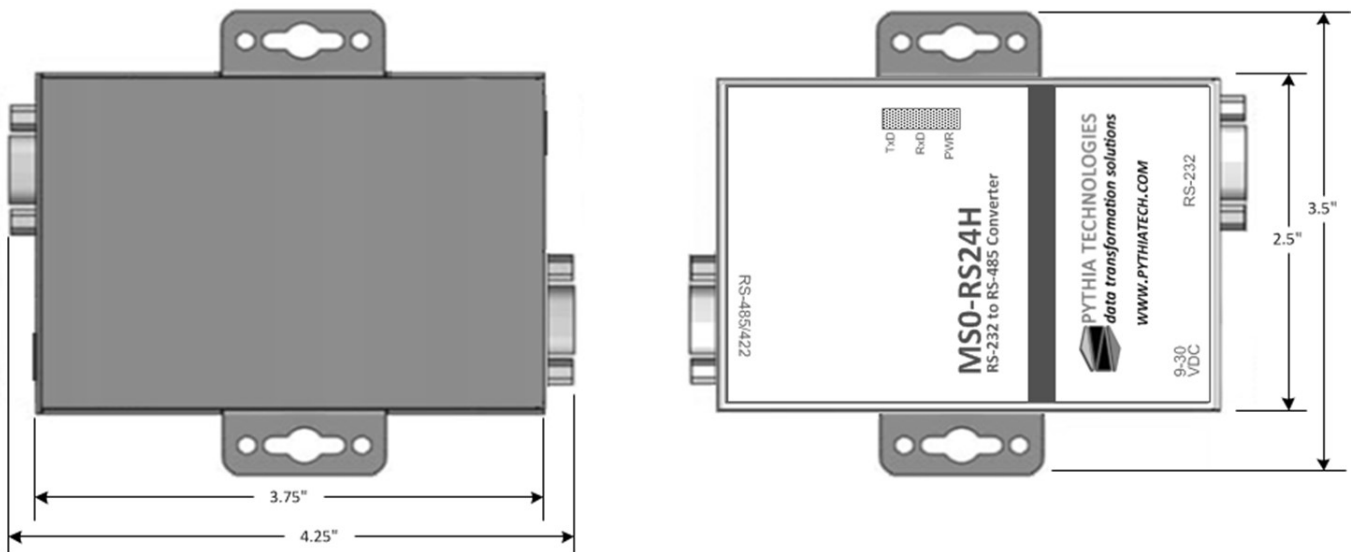
Barrel Connector Power Adapter

RS485 Terminal Strip Connector

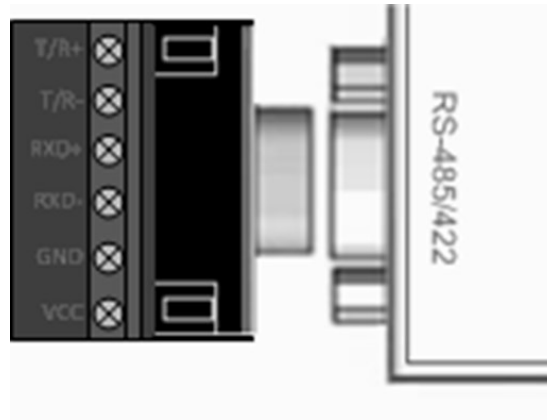
Connections Overview



Dimensions



Terminal Block Detail



Key Features:

Provides 1 Serial port for generator connectivity, and 1 Serial port for RS-485 communications

Supports standard Modbus RTU communications, daisy-chain capable

Commercial and Industrial design - including surge suppression for communication ports

Supports EIA-232, EIA-485, Modbus RTU and Generac Protocol

SPECIFICATIONS

Serial Interface	RS-232
Serial Connector	DB9F
Data Rates	300—115200 (9600 default)
Data Bits	7 or 8 (8 default)
Parity	NONE, EVEN or ODD (NONE default)
Stop Bits	1 or 2 (1 default)
RS-485 Interface	DB9 male to Terminal Block Adapter
Operating Temperatures	-40C to 85C
Power Barrel Connector	9-30VDC ~.35 Watts Maximum
Dimensions	4.25"(L) x 3.5" (W) x 0.9" (D)
Weight	0.45lb
Certification	FCC, CE, RoHS
Power Protection	Over Voltage, Over Current and Short Circuit

Ordering

MS0-RS24H

Call for alternative assembly pricing



PYTHIA TECHNOLOGIES
data transformation solutions

175 S. Sandusky Street, Suite 321 Delaware OH 43015 Tel. 740.936.5362 Fax 740.693.8409

Sales@pythiatech.com

© 2012-2014 Pythia Technologies, Inc.

All rights reserved throughout the world.

Specification may change at anytime without notice.

Document #: SPEC_MS0_RS24H_002_0114