

## Micro Server Level 0 for Modbus RTU to Lon — MS0-MRL

The Micro Server Level 0-MRL provides a cost effective, easy to use, DIN rail or wall-mount solution for Modbus RTU to LonWorks protocol transformation.

### Description:

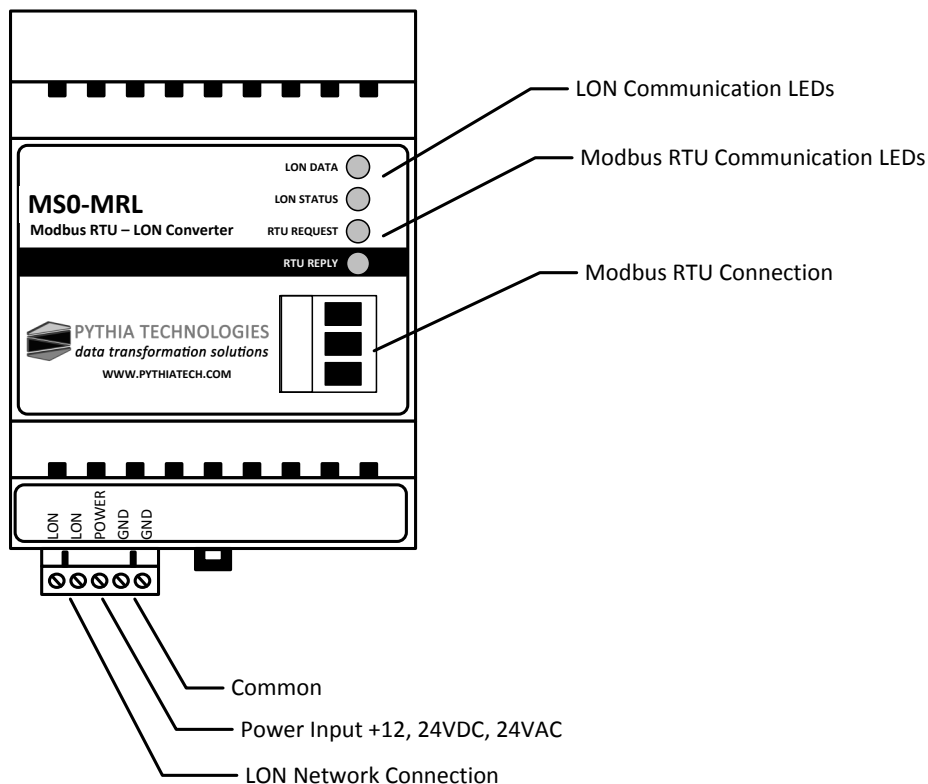
The MS0-MRL provides standalone protocol transformation between Modbus RTU and Lon based systems. In most circumstances, the fundamental device is Modbus RTU capable and is required to talk to a Lon based network. However the MS0-MRL can also be used to transform Lon protocol to Modbus RTU.

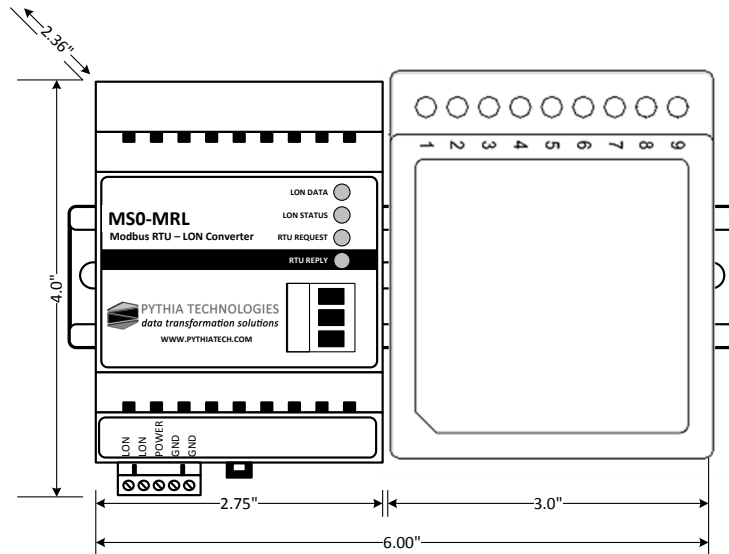
The MS0-MRL has two physical optically isolated communication ports—one EIA-485 Modbus RTU port, and another TP/FT-10 Lon port.

DIN Rail mounting and flexible input power requirements makes the MS0-MRL suitable for most applications

The device is configured via USB and specific application software, where all communication parameters can be viewed and set. Up to 400 Modbus registers / Lon Network Variables are supported with a single MS0-MRL.

### Assembly Overview





Product shown with KIT-03  
(DIN Rail and power supply)

### Key Features:

Bidirectional communication between Modbus RTU and Lon based systems

The MS0-MRL is a bindable LonWorks node

Map Modbus registers to LonWorks network variables, or vise-versa

Up to 400 Modbus registers to Lon NV (Network Variables) are supported per MS0-ML

Devices are configured via USB port and application specific software

Hardened EIA-485 port (can withstand +24VDC/VAC applied to port.)

### SPECIFICATIONS

Modbus RTU Communications	EIA-485, 1200 to 38400 bps, Belden 85102, 8417 or equivalent
LonWorks Communications	TP/FT-10 compliant, Belden 85102, 8417 or equivalent
	Free topology LonWorks Network, FT 5000 based—no installation credits required
Operating Temperatures / Humidity	-25C to +85C / 5 to 90%, non-condensing
Relative Humidity	10 to 95%, non-condensing
Power	12—24VDC/AC @ 2.4W, 0.1A @ 24VDC
Mounting	DIN Rail (Optional enclosures available)
Size / Weight	4.0" (L) x 2.75" (W) x 2.36 (H) / 1lb.

### Ordering (Please call for alternate assembly pricing)

MS0-MRL (Bare device)

MS0-MRL-K03 (MS0-MRL with power supply and DIN rail)

MS0-MBS-K03-EN2 (Kit includes MS0-MBS-K03 plus enclosure)



**PYTHIA TECHNOLOGIES**  
data transformation solutions

175 S. Sandusky Street, Suite 321 Delaware OH 43015 Tel. 614.936.5362 Fax 740.693.8409

Sales@pythiatech.com

www.pythiatech.com

© 2015 Pythia Technologies, Inc.

All rights reserved throughout the world.

Specification may change at anytime without notice.

Document #: SPEC\_MS0-MRL\_001\_0115