

Micro Server Level 0 BACnet Router — MS0-BR

The Micro Server Level 0-BR provides a cost effective, easy to use, DIN rail or wall-mount solution for BACnet IP/Ethernet to BACnet MSTP protocol transformation.

Description:

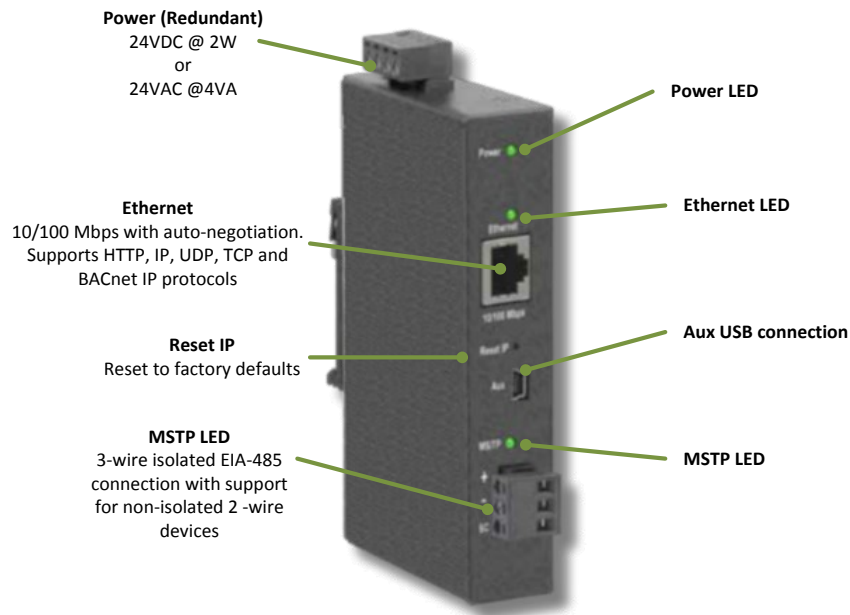
The MS0-BR provides stand-alone routing between BACnet networks such as BACnet IP, BACnet MSTP, and BACnet Ethernet—thereby allowing integration to a mixture of network topologies in order to accommodate the host BACnet system. The device also supports BBMD and FDR (Foreign Device Registration)

The MS0-BR has two physical communication ports—one 10/100 Mbps Ethernet/IP port, and another optically isolated MSTP (EIA-485) port.

The device is configured through it’s web interface, where all communication parameters can be viewed and set.

The device also supports redundant power supply inputs for critical applications.

Assembly Overview



Assembly

MS0-BR

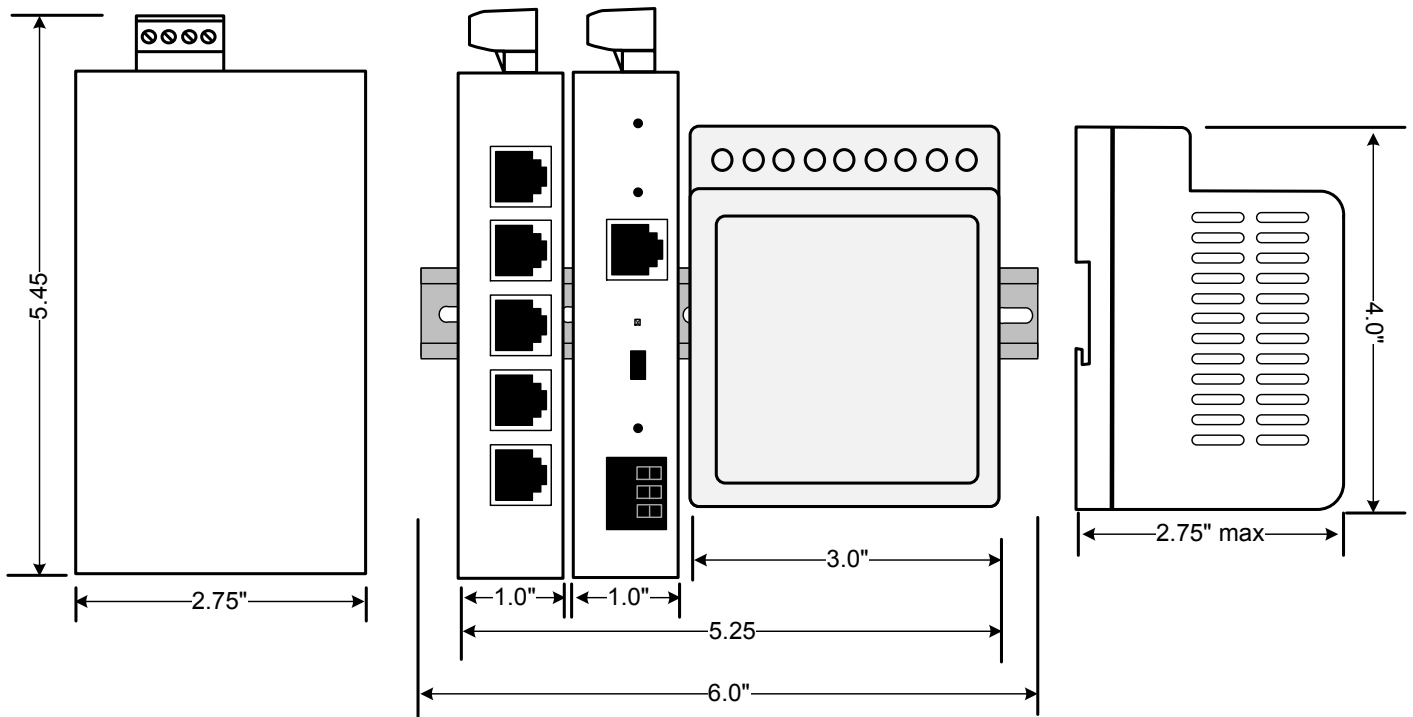
DIN Rail Mount Kit (6" DIN rail, 120VAC / 24VDC Transformer)

Installation and User Guide

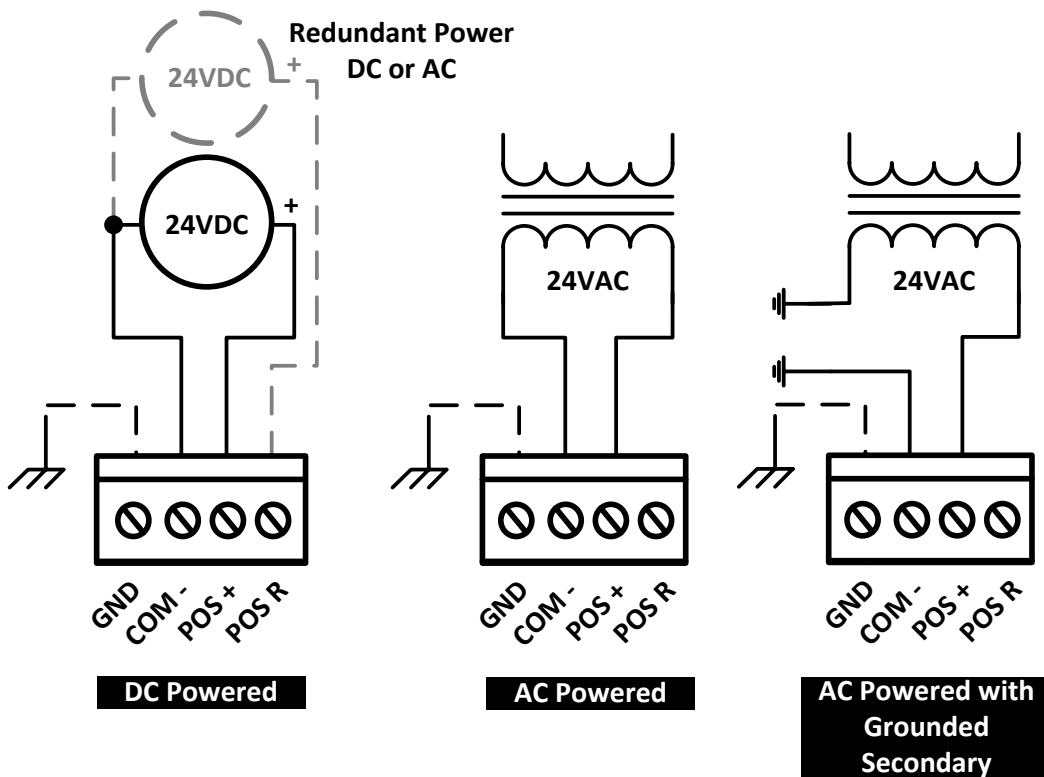
Option 1: NEMA1 Enclosure with hinged door and quarter-turn latch

Option 2: 5/8/16 port Network Switch, DIN rail mount

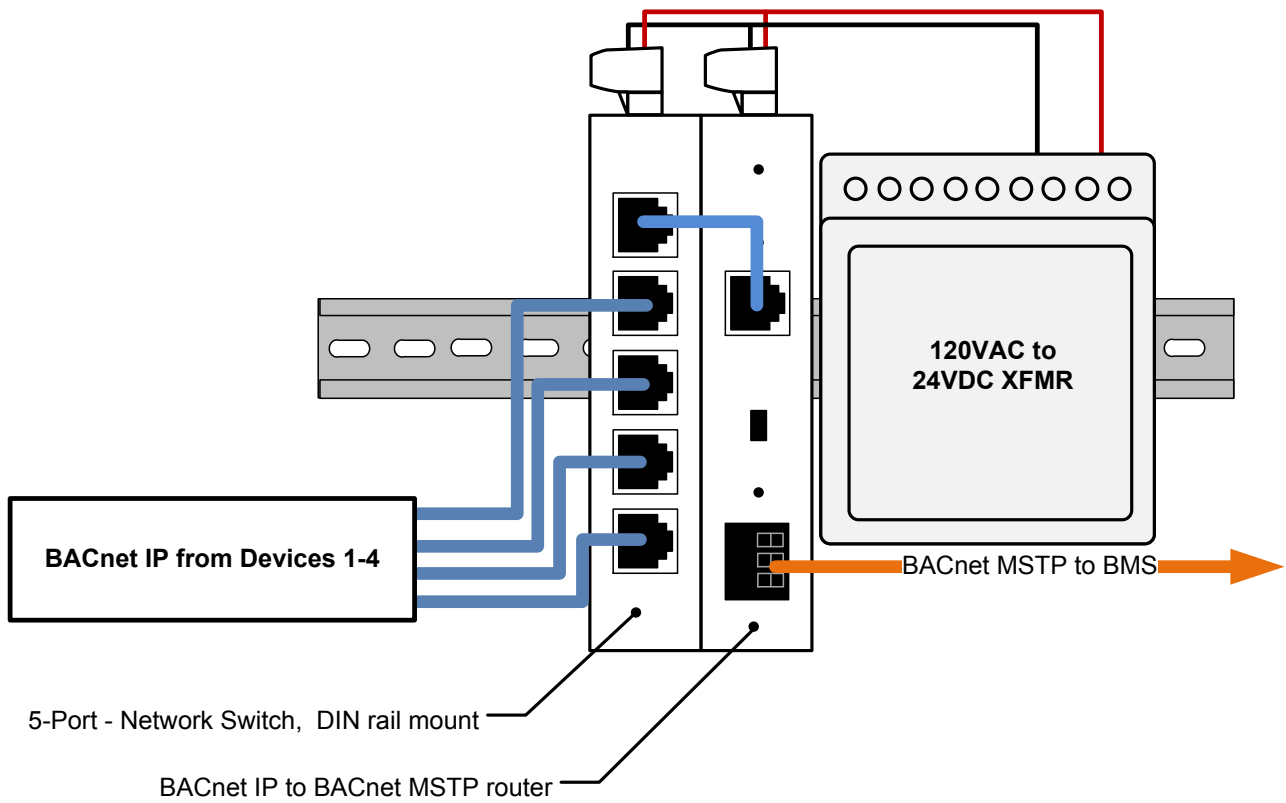
Dimensions (Shown with network switch and power supply)



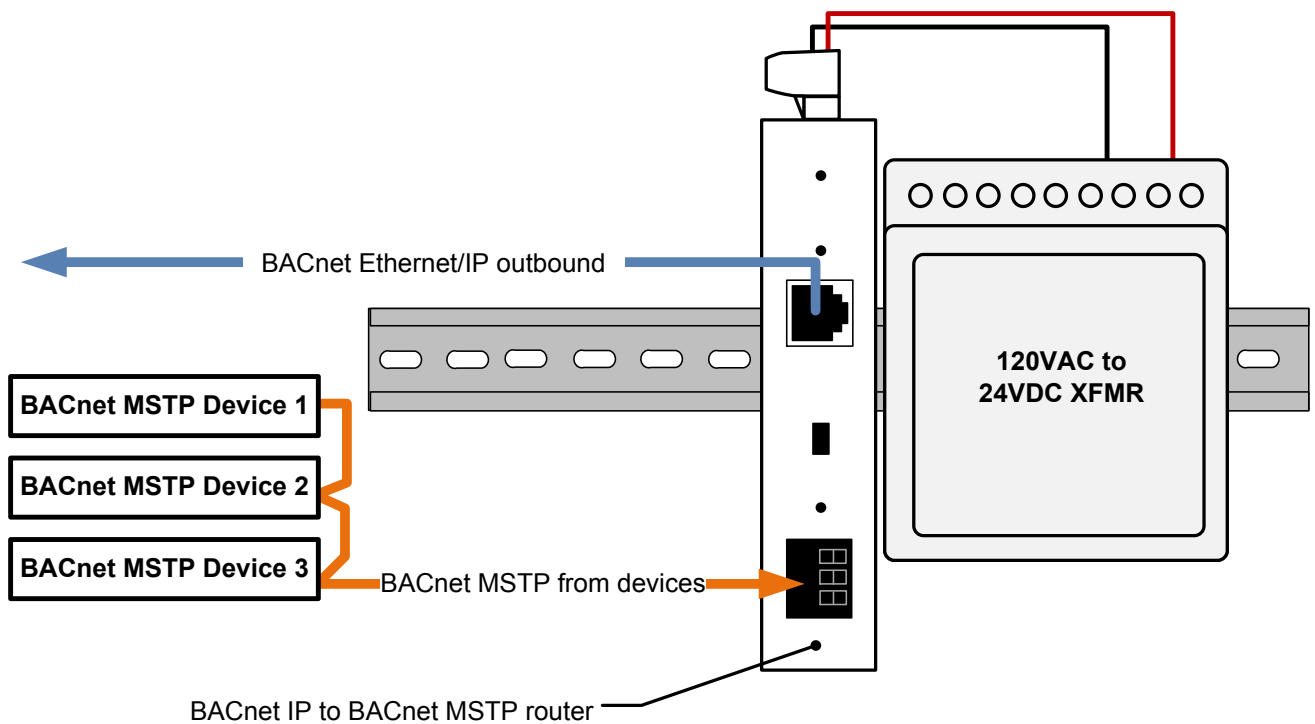
Power Options



Example Usage—BACnet IP devices to BACnet MSTP Network



Example Usage—BACnet MSTP devices to BACnet Ethernet/IP network



Key Features:

Versatile routing between BACnet networks
IP network support for BACnet IP and Web server for configuration and commissioning
BBMD and Foreign Device Registration capable
Supports DHCP and static IP address
Flexible communication and power options (Redundant power capable)

SPECIFICATIONS

MSTP Communications	Supports ANSI/ASHRAE 135
Data Rates	9600, 19200, 38400, 76800
Physical Layer	EIA-485
Cable Limit	2000 feet
Ethernet/IP Communications	IEEE 802.3
Data Rates	10/100Mbps
Cable Limit	300 feet (CAT5)
Operating Temperatures	0C to 60C
Storage Temperature	-40c to 85C
Relative Humidity	10 to 95%, non-condensing
Power	24VDC @ 2W, 24VAC @ 4VA, 47-63Hz
Mounting	DIN rail (Optional enclosures available)
Size / Weight	2.74" (L) x 1.0" (W) x 4.85 (H) / 1lb.
Certification	CE, CFR 47, Part 15 Class A, RoHS

Wire Specifications

Ethernet / IP	Standard CAT5/6
MSTP / (EIA-485)	Belden 6500FE / 22-24ga STP
Power (with 120VAC to 24VDC Transformer)	14/3 AWG, stranded or solid

Ordering (Please call for alternate assembly pricing)

MS0-BR
MS0-BR-ENCL (Kit includes MS0-BR plus enclosure)
MS0-BR-NS-ENCL (Kit includes MS0-BR, plus 5 port network switch, plus enclosure)



PYTHIA TECHNOLOGIES
data transformation solutions

175 S. Sandusky Street, Suite 321 Delaware OH 43015 Tel. 614.936.5362 Fax 740.693.8409

Sales@pythiatech.com

www.pythiatech.com

© 2013-2014 Pythia Technologies, Inc.

All rights reserved throughout the world.

Specification may change at anytime without notice.

Document #: SPEC_MS0-BR_001_0413