

## Micro Server Level 0—MS0

The Micro Server Level 0 provides a cost effective, easy to use, DIN rail or wall-mount solution for Serial to TCP/IP protocol transformation.

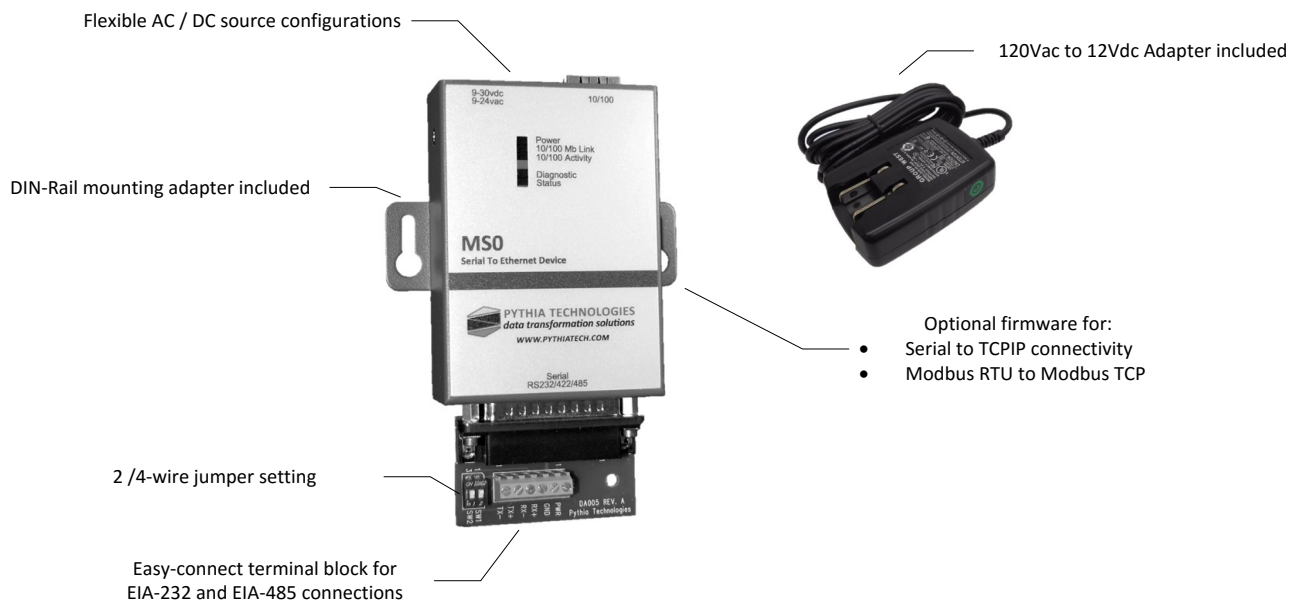
### Description:

The MS0 is designed to transform serial to network protocols. The MS0 is designed to connect to devices (native protocol) via physical connections of EIA-232, EIA-422, EIA-485 (2-wire or 4-wire, serial ) and transform to TCP/IP (network).

### Protocols Supported:

- \* **STD** firmware supports true serial to TCP/IP conversion - generally good for terminal sessions and Generac applications.
- \* **MBT** firmware supports Modbus 485 to Modbus TCP/IP conversion normally associated to power equipment. over the network, eliminating twisted-pair wiring.

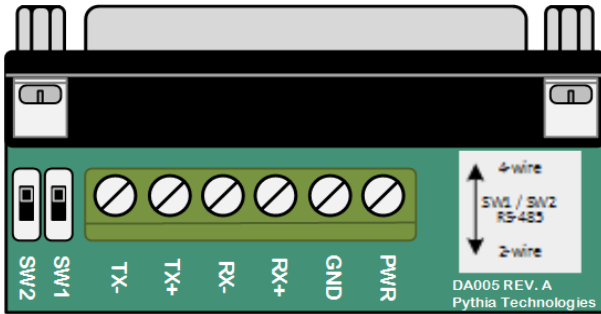
## Assembly Overview



Part Number	Description
MS0	Base unit with 120/240VAC to 12VDC plug-in power supply, DIN-rail mounting bracket and
MS0- STD, MS0-MBT	Base unit with device specific protocol firmware
K01	Add for DIN-Rail mounting kit
EN2	Add for K01 and a 10 x 6 x 6 enclosure
CONFIG	Configuration services

## DB-25 to Terminal Block Connectivity

The adapter provides a terminal block connection option for the MSO. The internal connections are reversed for MASTER/SLAVE connections, simplifying the labeling to represent the SLAVE connections.



### Features

Provides DB25F to terminal block connection

Provides SLAVE labeling to allow direct TX/RX connections

Provides switches for 2/4-wire connections

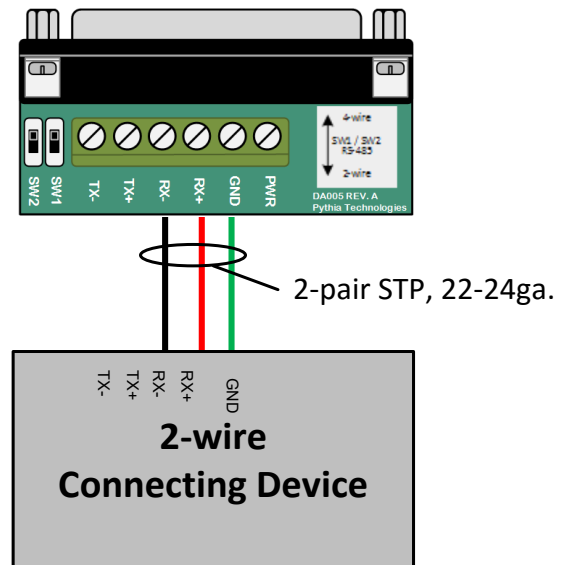
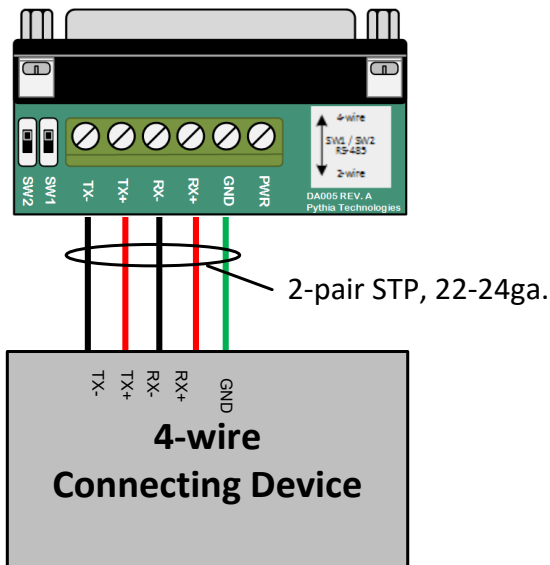
### Connections

MASTER	SLAVE
PWR	
GND	GND
Rx+	Tx+
Rx-	Tx-
Tx+	Rx+
Tx-	Rx-

### Wire Specifications

DB25 2-wire	22-24ga STP Belden 6500FE
DB25 4-wire	22-24ga STP Belden 6502FE

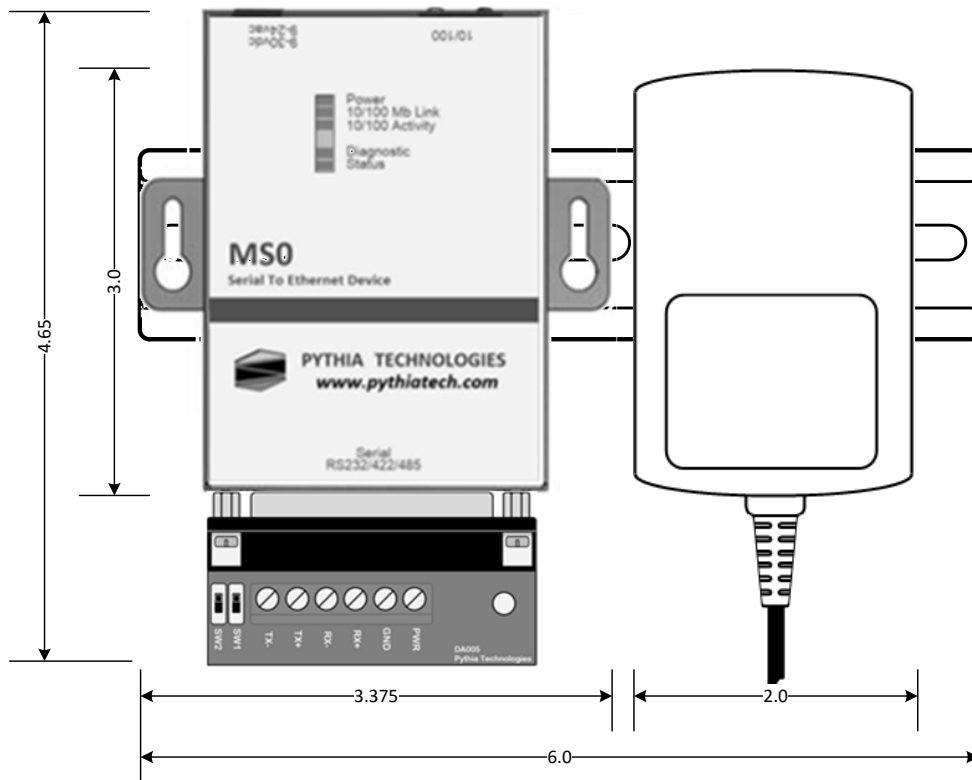
## Wiring Example



## Connections Overview



## Dimensions



Shown with optional DIN-rail mounting kit

## Key Features:

Supports up to 32 RS-485 devices via serial daisy-chain

Provides 1 10/100 Ethernet port, 1 Serial port, and DB25TB adapter

Supports simultaneous connections where applicable

Supports DHCP and static IP address

Supports EIA-232, EIA-422 and EIA-485 2 and 4-wire

## SPECIFICATIONS

Serial Interface	Software selectable RS-232/422/485 & 2/4-wire
Serial Connector	DB25F with Terminal Block adapter
Data Rates	1200, 2400, 9600, 19200, 38400, 57600, 115200
Data Bits	7 or 8
Parity	NONE, EVEN or ODD
Stop Bits	1 or 2
Network Interface	10/100 RJ45 Ethernet Port
Operating Temperatures	-40F to 158F
Power Barrel Connector	9-30VDC or 9-24VAC. 1.5 Watts Maximum
Power Serial Interface	9-30VDC on DB25F interface via Terminal Block
Dimensions	3.5" x 2.5" x 0.9"
Weight	0.45lb
Certification	UL, CSA, FCC, CE, TUV, CTick, VCCI
Power Protection	Over Voltage, Over Current and Short Circuit

## Wire Specifications

DB25 2-wire	22-24ga STP Belden 6500FE
DB25 4-wire	22-24ga STP Belden 6502FE
Network	Standard CAT5/6
Receptacle	14ga L, N, G solid or stranded

## Ordering

Example: MS0-MBT-K01-EN2 (MS0 with Modbus Firmware, with K01 Mounting Kit and EN2 Enclosure)

See price book for all part number. Call for alternative assembly pricing



**PYTHIA TECHNOLOGIES**  
*data transformation solutions*

175 S. Sandusky Street, Suite 321 Delaware OH 43015 Tel. 614.363.2272 Fax 740.693.8409

[Sales@pythiatech.com](mailto:Sales@pythiatech.com)

© 2016 Pythia Technologies, Inc.

All rights reserved throughout the world.

Specification may change at anytime without notice.

Document #: SPEC\_MS0\_008\_0816