

Contact Module—CM04

The CM04 provides equipment protection by monitoring & control of critical operating parameters in enterprises, remote network facilities, communication rooms, and critical support systems.

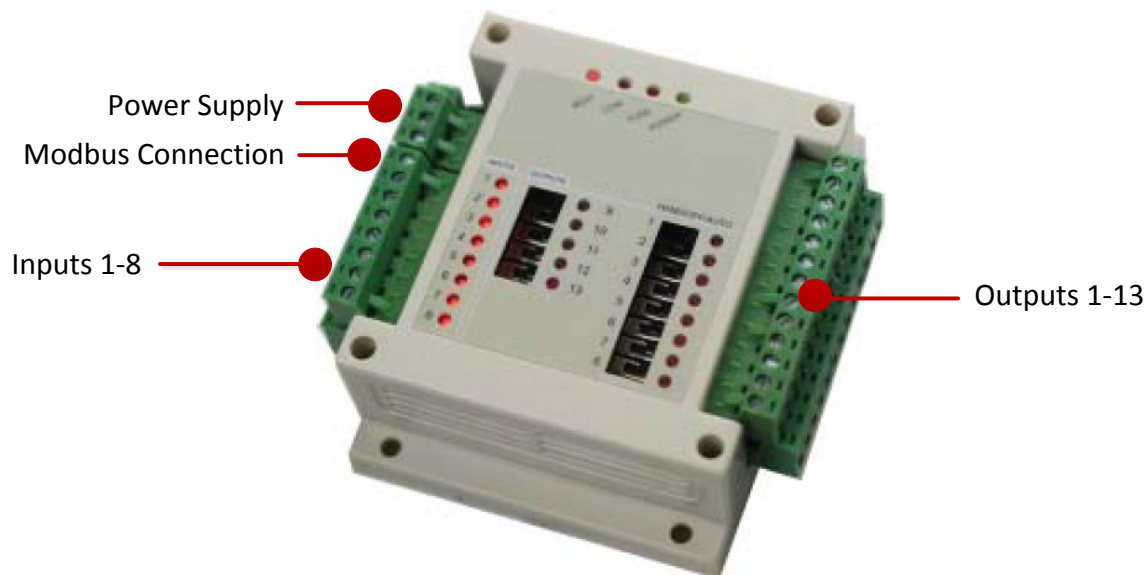
Description:

The CM04 is a general purpose module for integration to equipment throughout the data center. Each module contains 8 inputs that can be used for analog inputs of either 0-5V, 0-20mA, or digital dry contact inputs. The module also contains 13 dry-contact relay outputs to control critical equipment. The modules are slave devices that can be easily controlled via the RS485 serial interface using the industry standard Modbus Protocol. Standard DIN Rail mounting allows for a wide variety of mounting options.

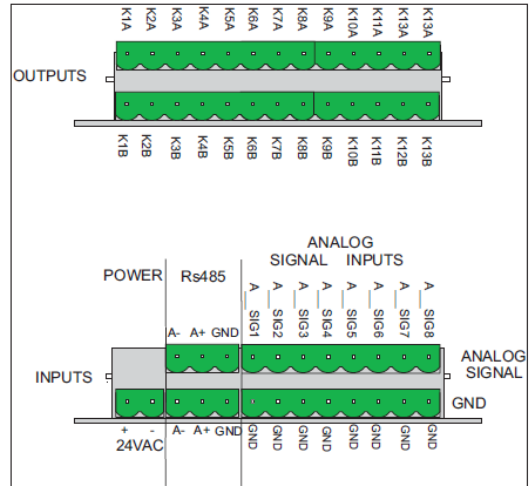
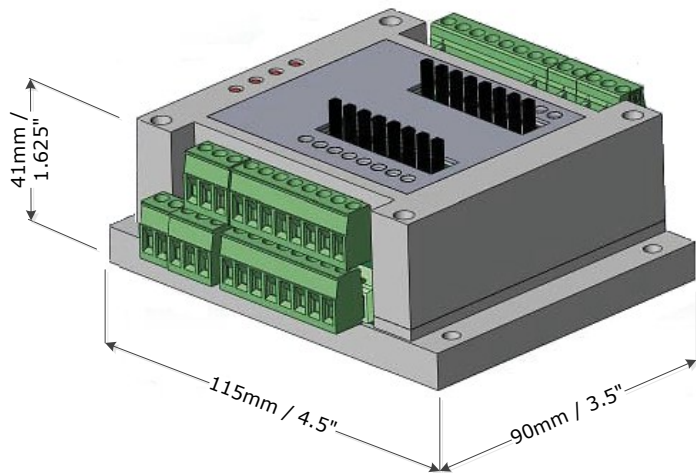
Highlights:

- 8 Universal Inputs & 13 dry-contact relay outputs for control
- Surge-Protected Analog Inputs with 10-bit Resolution
- High Impact Plastic Enclosure provides durability in commercial environments
- Communication Output: Modbus RTU Protocol via RS485

Assembly Overview



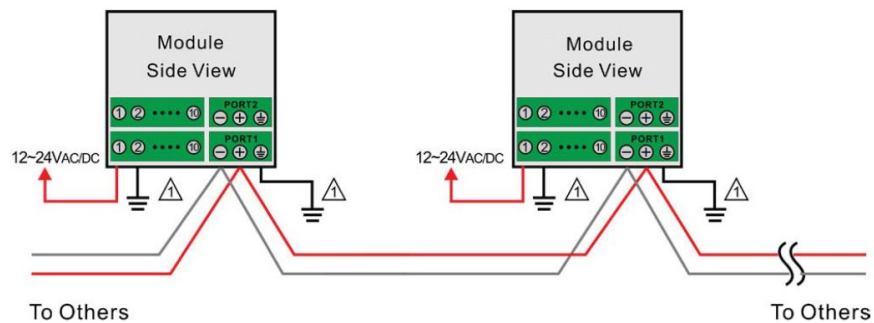
Assembly Details



Sensor Wiring Details

Title	Typical Wiring Diagram	Jumper
Thermistors		
Dry Contacts		
Transducer Signal 0-10V 0-5V	 ⚠ module and transducer power share GND. Transducer shall be half wave rectified.	
Transducer 4-20mA	 ⚠ module and transducer power share GND. Transducer shall be half wave rectified.	

Communication Wiring Detail



SPECIFICATIONS

Power	12~24VAC/DC +- 10%, 50-60Hz, 100mA MAX @ 12VDC
Inputs	8 Universal Inputs @ 0-5V, 0-10V, 0-20mA, Dry Contacts
Outputs	13 Dry-contact relay outputs x 2amps @120V
Communication Ports	RS-485/232 2-Wire
Protocols	Modbus/RTU, Modbus/TCP with Kit K01 or MS0
Temperature Sensor	10K Thermistor +- 0.5C
Operating Temperatures	-22F—158F
Storage Temperature	-40F—185F
Humidity	10% - 90% RH, non-condensing
Dimensions	4.5" (W) x 3.5" (D) x 1.625" (H)
Weight	1lb
Plastic Housing	Flammability Rating UL 94V0 File E194560
Enclosure Rating	IP31

Ordering

CM04	Contact Module 04
CM04K01	Includes CM04 and:
	MS0 w/ DIN Kit
	1.5U Rack Mount DIN Rail
	24VAC Power Supply
KDINRACK	1.5U Rack Mount DIN Rail
XFMR24	24VAC Power Supply

Optional MS0 Modbus 485 to Modbus TCP converter



Optional Rack Mounts Kit



175 S. Sandusky Street, Suite 321 Delaware OH 43015 Tel. 614.363.2272 Fax 740.693.8409

Sales@pythiatech.com www.pythiatech.com

© 2013 Pythia Technologies, Inc.

All rights reserved throughout the world.

Specification may change at anytime without notice.

Document #: SPEC_CM04_001_0113